

TANK VENTS



PRESSURE ONLY TO ATMOSPHERE

SAFE EMISSION MODEL

- One piece body construction.
- Connection sizes from 2" - 12" ANSI standard.
Optional D.I.N. | B.S. | J.I.S. | A.P.I. | N.P.T. connections are special order.
- Pressure weight settings from 0.4 - 32.0 oz/in²
- Ships with Pressure setting certification

Performance and Quality

We stand by quality and reliability in our products. That is why our vents are individually hand calibrated at our factory. Each vent will receive a certification sheet showing the exact set point of the pressure valve, as well as the leak rate for the valve.

High Pressure Models

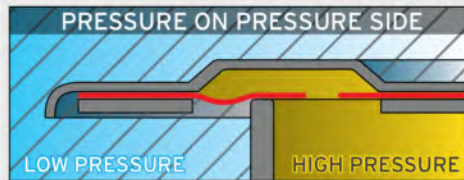
- High pressure models are **spring assisted**.



0.4 oz/in² setting is less than 0.14 SCFH for **ALL VENTS/ALL SIZES** at 90% of set point.

Counter-Force Pallet

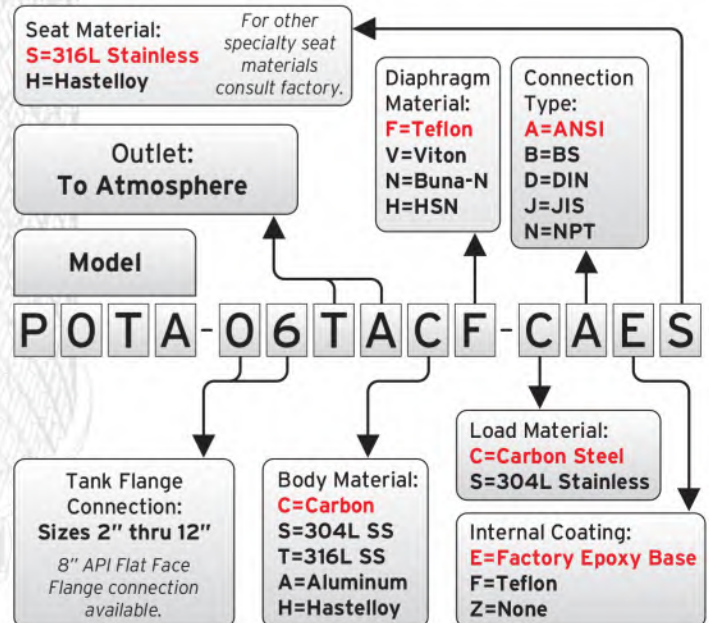
The inflating effect of the diaphragm increases as the pressure in the vent rises. This means that when the vent is closer to its set point, the seal is at its greatest performance.



Self-Reinforcing Pressure Seal

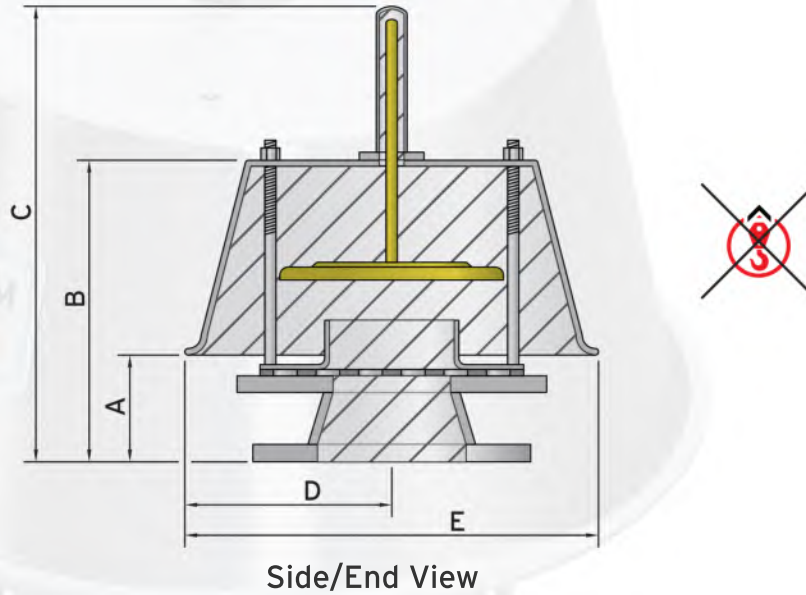
Self-Cracking Vacuum Seal

• Available in: Carbon(SA516-70N), Stainless Steel(304L/310L) Aluminum, Hastelloy(C276)



Example: The above order number indicates a Pressure Only vent with To Atmosphere exhaust. Inlet is 6", carbon steel body, teflon diaphragm, weight loaded with steel weight material. and factory epoxy base internal coating.

Dimensions and Layout



Dimensions and Weight Chart

SIZE(in)	A	B	C	D	E
3	4 3/4"	10"	15"	6 3/4"	13 1/2"
4	4 3/4"	10 3/4"	16"	7 1/8"	14 1/4"
6	4 3/4"	12 3/4"	19"	8 1/4"	16 1/2"
8	5 3/4"	15 13/16"	23 1/16"	9 1/4"	18 1/2"
10	5 3/4"	18 1/8"	26 3/8"	10 5/16"	20 5/8"
12	5 3/4"	20 5/8"	29 7/8"	11 5/16"	22 5/8"

STANDARD

Flow Curve Charts

VC-POTA

Vapour Control



2"-P



3"-P



4"-P



6"-P



8"-P



10"-P



12"-P

