

TANK VENTS



GAS BLANKET CONTROLLER

CONTROLLED FLOW - PILOTED VALVE REPLACEMENT

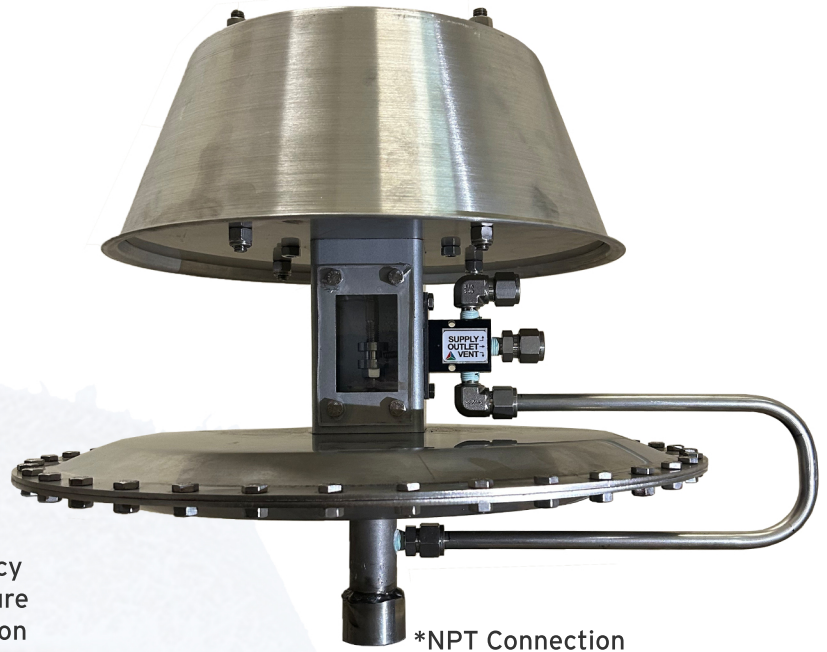
- One piece body construction.
- 1" ANSI Connection size.
Optional NPT connections are available through special orders.
- Pressure settings from 0.4PSI - 4 oz/sq. in.

Performance and Quality

The Accu-Set Controller allows users to reduce tank pressures to a minimum to reduce a potential gas release. The lower the tank pressure, the less likely you are to have fugitive emissions releases. The Accu-Set assures that the tanks positive pressure is maintained at 1/4" water column and does not drop below that, allowing air to enter the tank. Air inflow into the tanks creates accelerated corrosion and deterioration to tanks and piping systems, not to mention the potential of explosions in flare vapor recovery lines.

Oversized Diaphragm

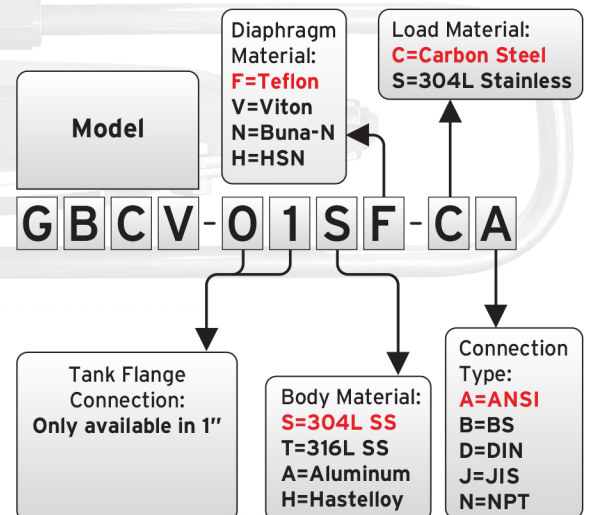
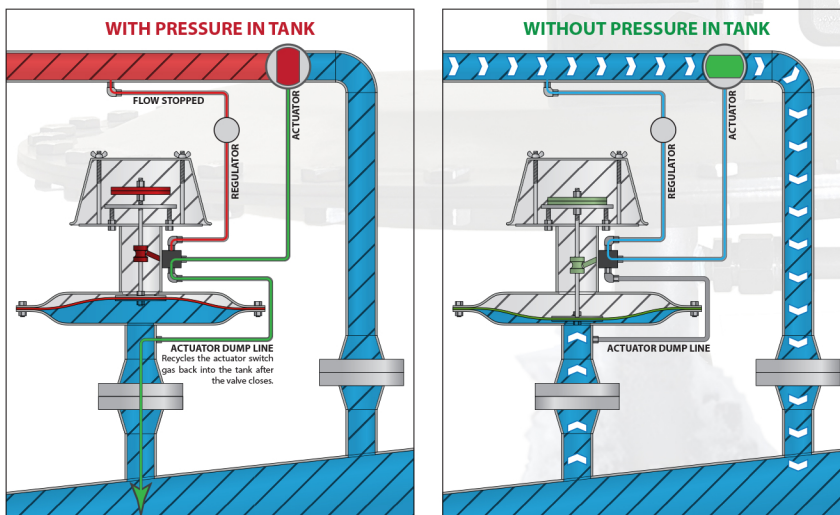
The Accu-Set Controller is a large diameter teflon high accuracy diaphragm that reacts to tank pressure at very minimal pressure such as 1/4" water column. This high accuracy dependable teflon diaphragm and micro valve operate in changing temperatures with consistent repeatability.



*NPT Connection

All vents come **standard** with 316 Stainless Steel internal components, which include; Guide Rod Assembly / Bolts and Nuts / Seats / Pallet.

- Available in: Carbon(SA516-70N), Stainless Steel(304L/310L) Aluminum, Hastelloy(C276)



Example: The above order number indicates an Gas Blanket ControllerVent. NPT connection is 1", Stainless Steel body, Teflon diaphragm, Steel weight material.